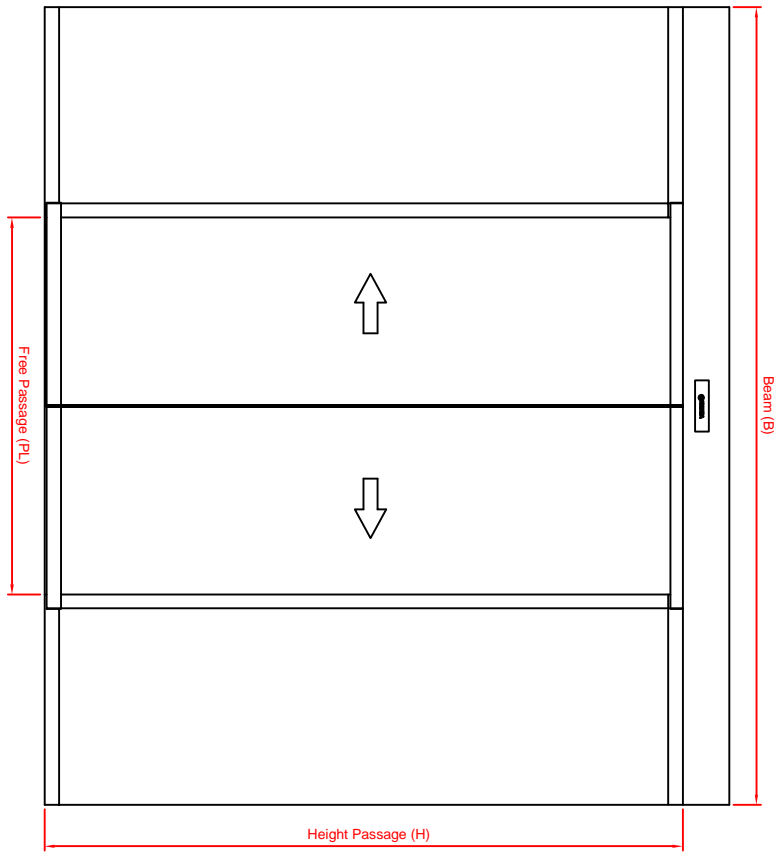
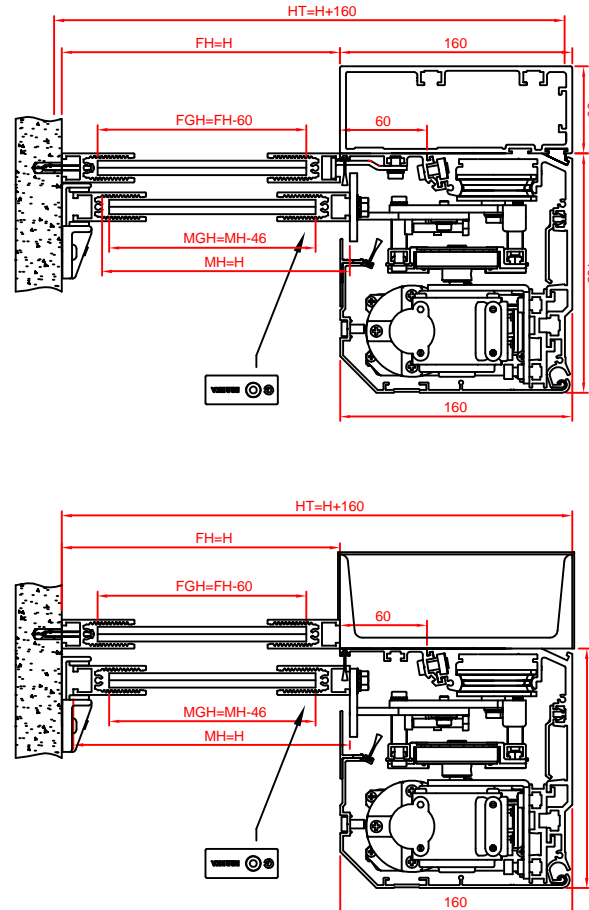


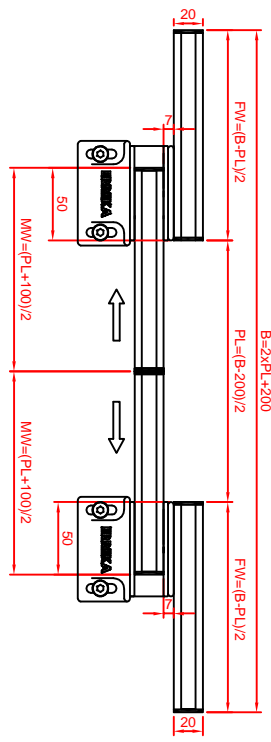
Scale: 1/30



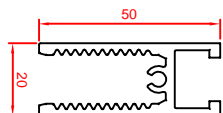
Scale: 1/5



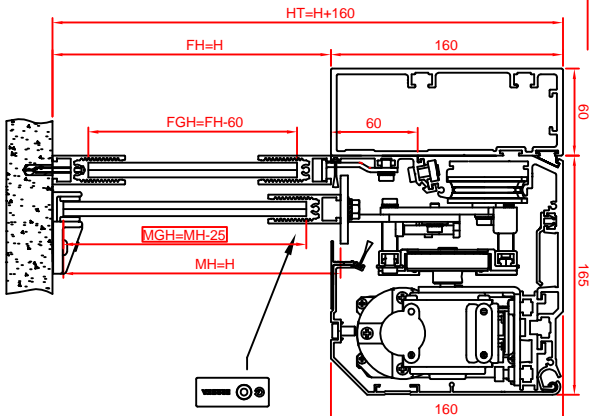
Scale: 1/5



Pincer
Scale: 1/2



Pincer in the Top



Beam (B)	$B=2 \times PL+200$
Free Passage (PL)	$PL=(B-200)/2$
Fixed Leaf Height (FH)	$FH=H$
Fixed Leaf Width (FW)	$FW=(B-PL)/2$
Mobile Leaf Height (MH)	$MH=H$
Mobile Leaf Width (MW)	$MW=(PL+100)/2$
Fixed Leaf Glass Height (FGH)	$FGH=FH-60$
Fixed Leaf Glass Width (FGW)	$FGW=FW$
Mobile Leaf Glass Height (MGH)	$MGH=MH-46$
Mobile Leaf Glass Width (MGW)	$MGW=MW$



DENOMINATION

PINCER 2+2 GLOBAL SYSTEM

A4