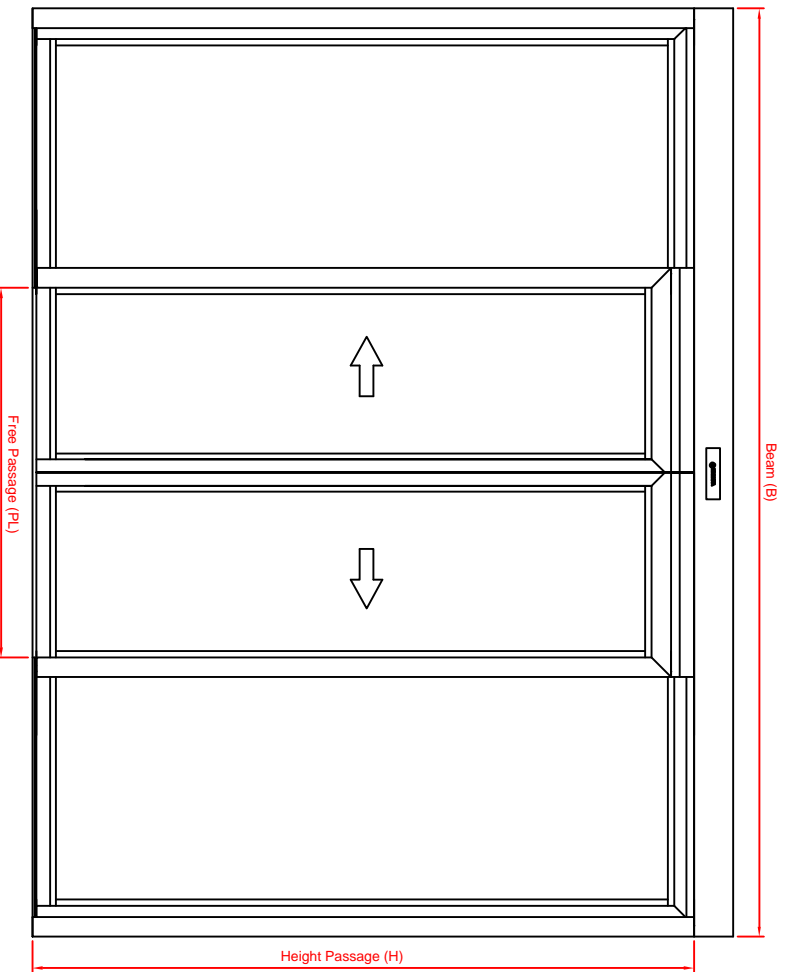
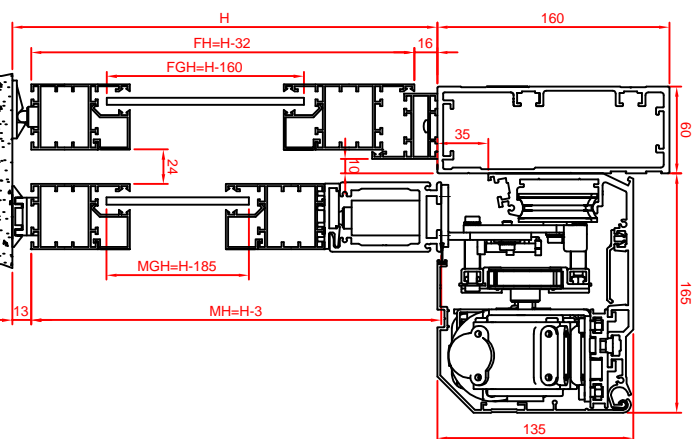


Scale: 1/30

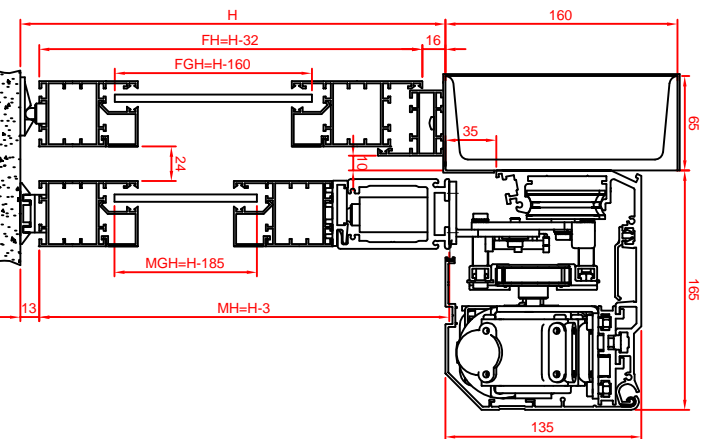


Beam (B)



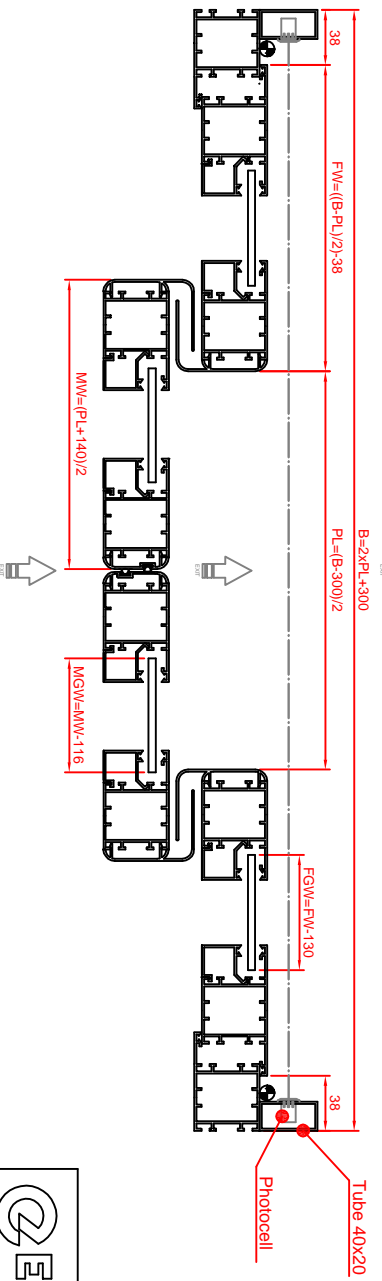
Fixed with "Perfil Autoportante Ereka"

Scale: 1/5



Fixed with UPN 160

Scale: 1/5



Tube 40x20

Photocell

Beam (B)	$B=2*PL+300$
Free Passage (PL)	$PL=(B-300)/2$
Fixed leaf Height (FH)	$FH=H-32$
Fixed Leaf Width (FW)	$FW=(B-PL)/2+38$
Mobile Leaf Height (MH)	$MH=H-3$
Mobile Leaf Width (MW)	$MW=(PL+140)/2$
Fixed Leaf Glass Height (FGH)	$FGH=H-160$
Mobile Leaf Glass Height (MGH)	$MGH=H-185$
Mobile Leaf Glass Width (MGW)	$MGW=MW+116$



DENOMINATION

PANIC BREAK OUT 2+2 ERTAIN_2 SYSTEM

A4