

Scale: 1/30

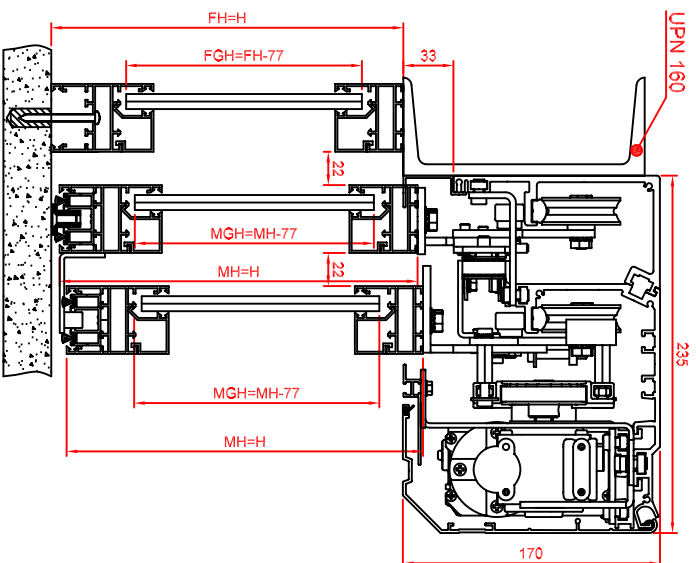
Beam (B)

Height Passage (H)

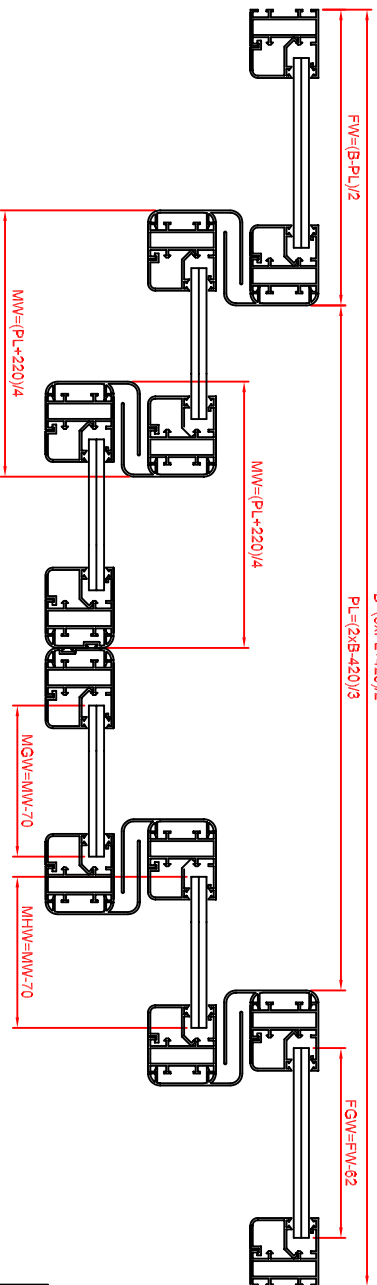
Free Passage (PL)

Scale: 1/5

Fixed with UPN 160

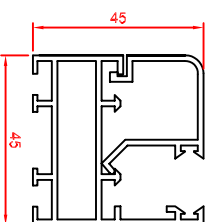


Scale: 1/5



**Compact Profile**

Scale: 1/2



Beam (B)	$B=3xPL+420/2$
Free Passage (PL)	$PL=(2xB-420)/3$
Fixed Leaf Height (FH)	$FH=H$
Fixed Leaf Width (FW)	$FW=(B-PL)/2$
Mobile Leaf Height (MH)	$MH=H$
Mobile Leaf Width (MM)	$MM=(PL+220)/4$
Fixed Leaf Glass Height (FGH)	$FGH=FH-77$
Fixed Leaf Glass Width (FGW)	$FGW=FW-62$
Mobile Leaf Glass Height (MGH)	$MGH=MH-77$
Mobile Leaf Glass Width (MGW)	$MGW=MM-70$



DENOMINATION

A4

COMPACT PROFILE 4+2 TELESCOPIC SYSTEM