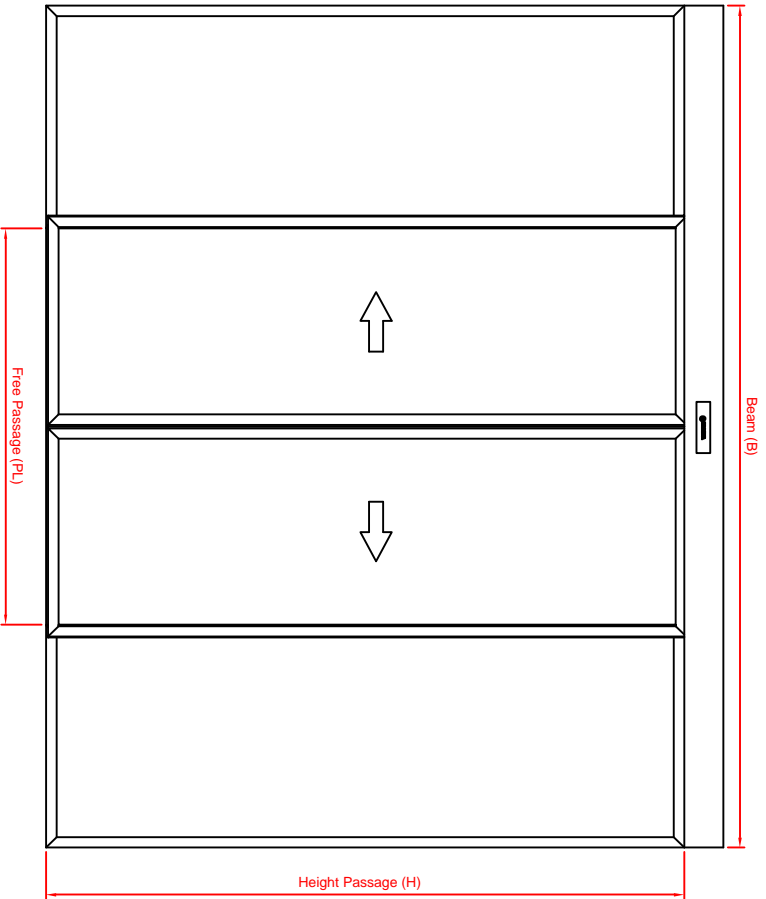
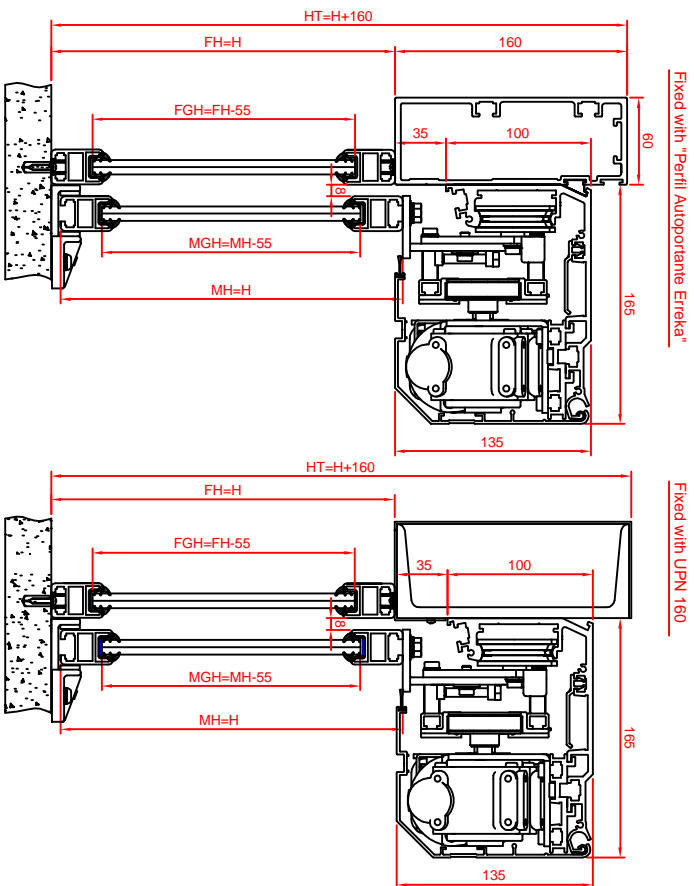


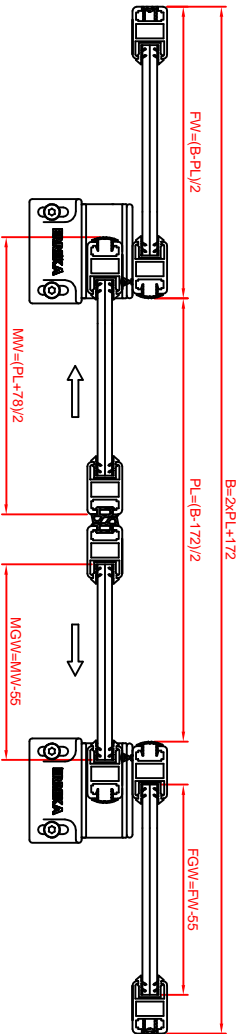
Scale: 1/30



Scale: 1/5

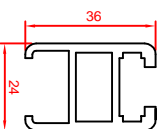


Scale: 1/5



Fina profile

Scale: 1/2



Beam (B)	$B=2xPL+172$
Free Passage (PL)	$PL=(B-172)/2$
Fixed Leaf Height (FH)	$FH=H$
Fixed Leaf Width (FV)	$FV=(B-PL)/2$
Mobile Leaf Height (MH)	$MH=H$
Mobile Leaf Width (MM)	$MM=PL+78/2$
Fixed Leaf Glass Height (FGH)	$FGH=FH-55$
Fixed Leaf Glass Width (FGW)	$FGW=FV-55$
Mobile Leaf Glass Height (MGH)	$MGH=MH-55$
Mobile Leaf Glass Width (MGW)	$MGW=MM-55$

ERREKA

DENOMINATION

A4

FINA 2+2 ERTAIN_2 SYSTEM