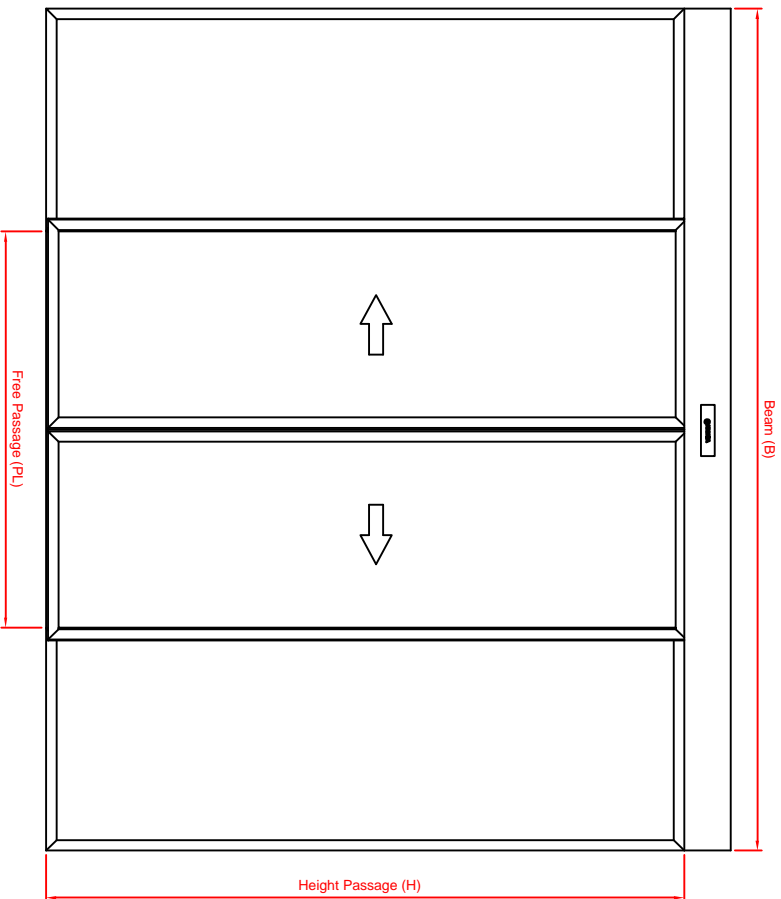
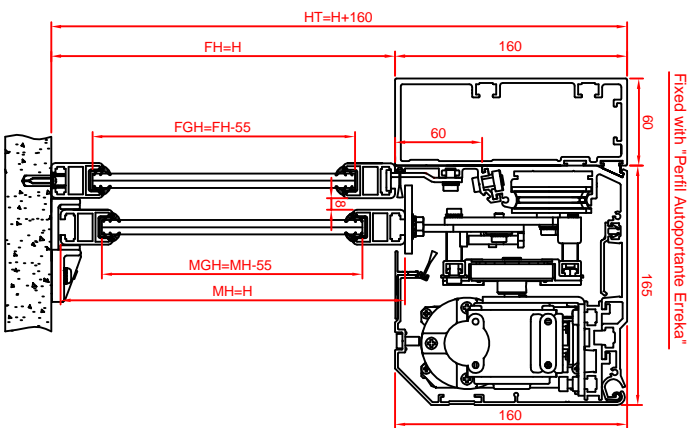


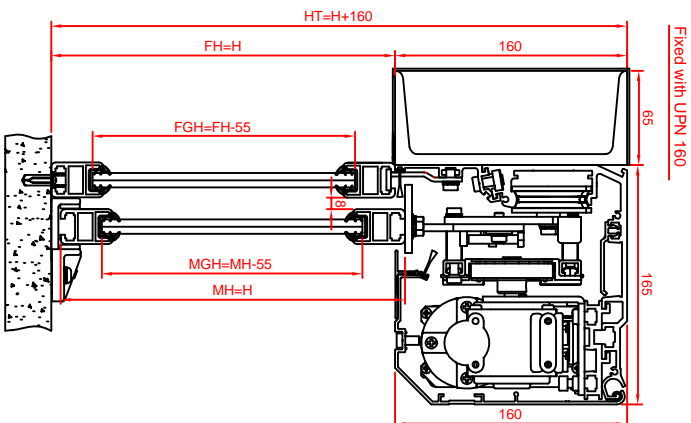
Scale: 1/30



Scale: 1/5

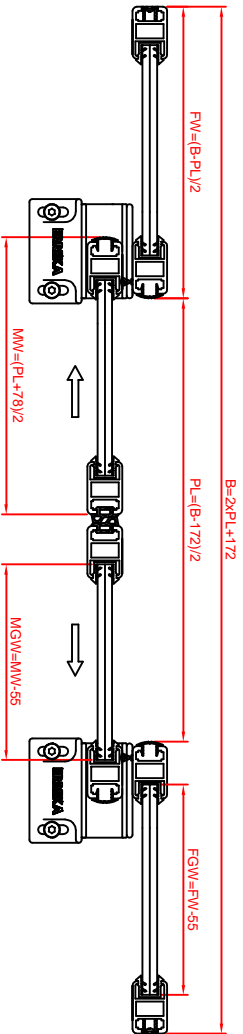


Fixed with "Perfil Autoportante Ereka"



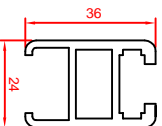
Fixed with UPN 160

Scale: 1/5



**Fina profile**

Scale: 1/2



Beam (B)	$B=2 \times PL + 172$
Free Passage (PL)	$PL = (B - 172) / 2$
Fixed Leaf Height (FH)	$FH = H$
Fixed Leaf Width (FW)	$FW = (B - PL) / 2$
Mobile Leaf Height (MH)	$MH = H$
Mobile Leaf Width (MM)	$MM = (PL + 78) / 2$
Fixed Leaf Glass Height (FGH)	$FGH = FH - 55$
Fixed Leaf Glass Width (FGW)	$FGW = FW - 55$
Mobile Leaf Glass Height (MGH)	$MGH = MH - 55$
Mobile Leaf Glass Width (MGW)	$MGW = MM - 55$



DENOMINATION

FINA 2+2 GLOBAL SYSTEM

A4