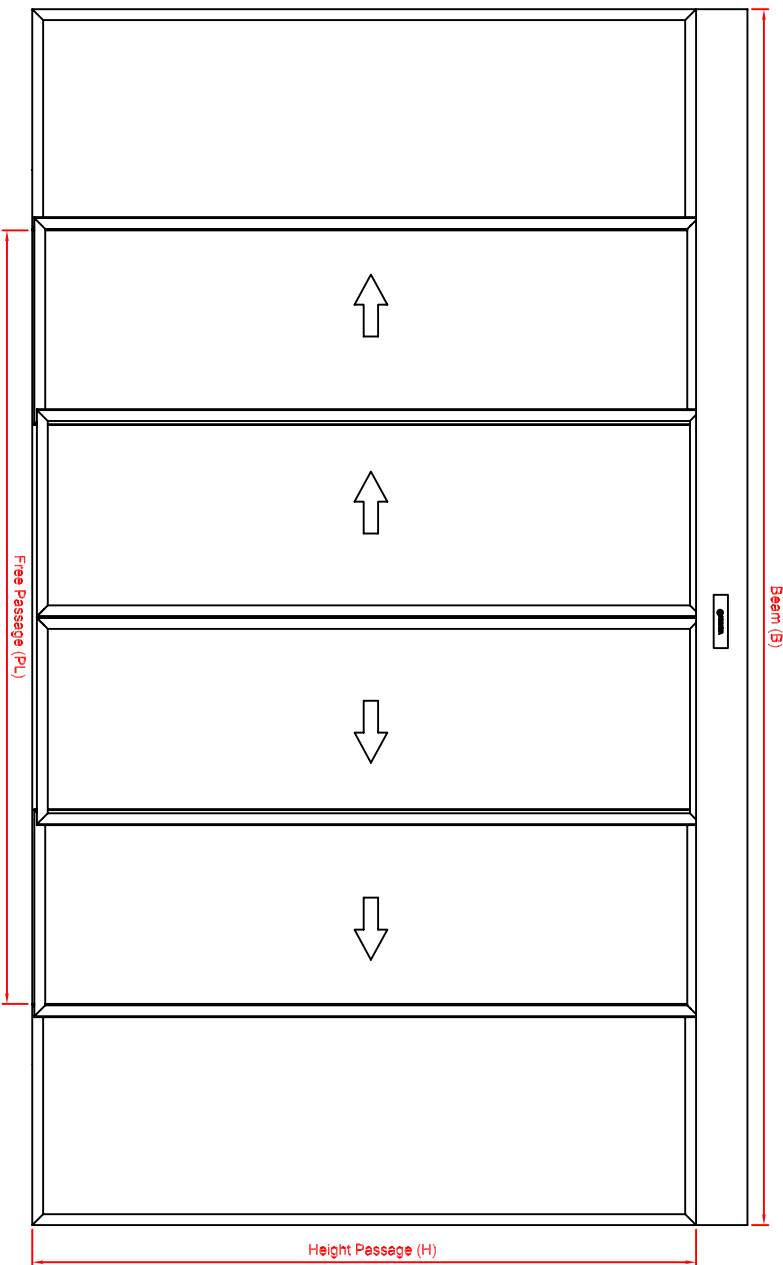


Scale: 1/30

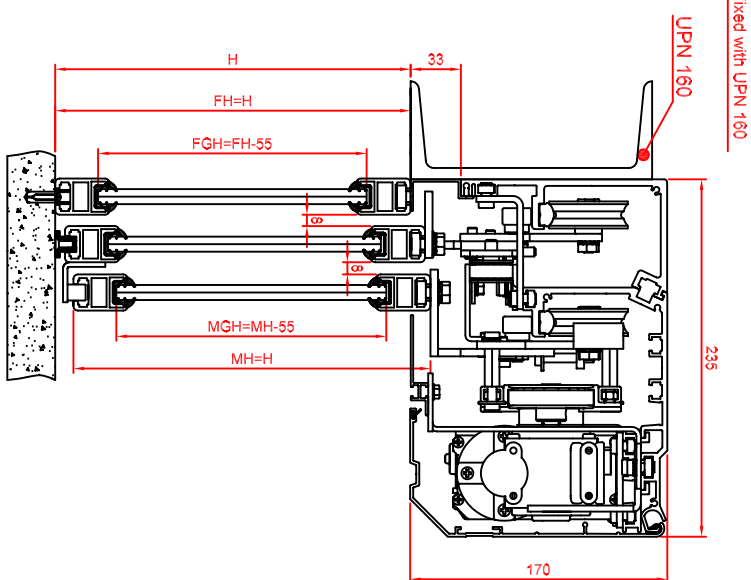


Beam (B)

Height Passage (H)

Free Passage (PL)

Scale: 1/5



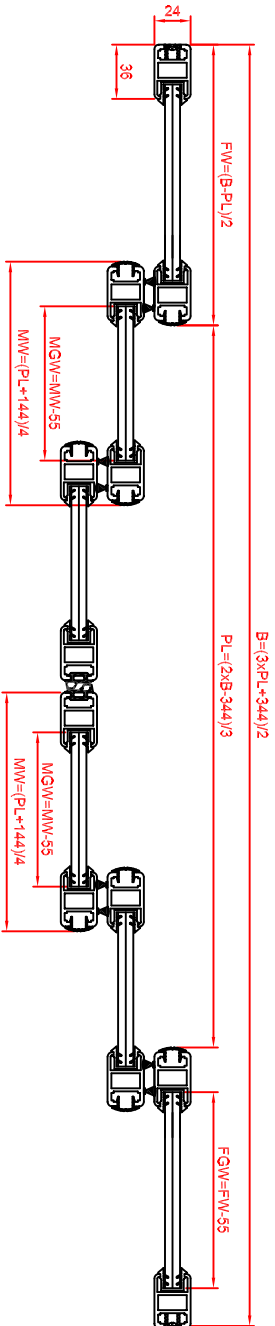
UPN 160

Fixed with UPN 160

235

170

Scale: 1/5



$BW = (B - PL) / 2$

$PL = (2 \times B - 344) / 3$

$FGW = FW - 55$

$B = (3 \times PL + 344) / 2$

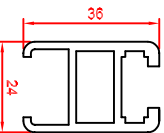
$MGW = MW - 55$

$MM = (PL + 144) / 4$

$MGW = MW - 55$

$MM = (PL + 144) / 4$

36



Finia Frame

Scale: 1/2

Beam (B)	$B = (3 \times PL + 344) / 2$
Free Passage (PL)	$PL = (2 \times B - 344) / 4$
Fixed Leaf Height (FH)	$FH = H$
Fixed Leaf Width (FW)	$FW = (B - PL) / 2$
Mobile Leaf Height (MH)	$MH = H$
Mobile Leaf Width (MM)	$MM = (PL + 144) / 4$
Fixed Leaf Glass Height (FGH)	$FGH = FH - 55$
Fixed Leaf Glass Width (FGW)	$FGW = FW - 55$
Mobile Leaf Glass Height (MGH)	$MGH = MH - 55$
Mobile Leaf Glass Width (MGW)	$MGW = MM - 55$



DENOMINATION

A4

FINA FRAME 4+2 TELESCOPIC SYSTEM